

Secured with confidence.

Self-locking protection for sliding bypass doors.



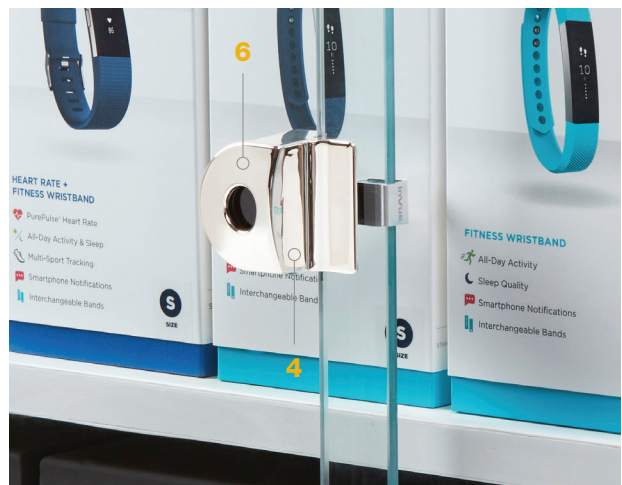
With Smart Lock, retailers can increase their profits by making merchandise accessible and empowering their associates to service customers. Smart Lock provides reliable and robust security for inventory placed in cabinets, while enabling a positive customer experience.

The L410 Smart Lock is specifically designed for sliding bypass doors and incorporates a self-locking feature that ensures the cabinet is locked when closed. The compact, streamlined design allows for optimal merchandise display. An integrated handle design creates an easy to use lock that stays with the door when it is opened.



FEATURES AND BENEFITS

- 1 Self-locking design provides confidence that the lock is secure when the door is closed
- 2 Small footprint allows complete visibility of products merchandised and inventoried in glass cabinets
- 3 Tactile and auditory feedback provides confirmation of a successful unlock and relock
- 4 Streamlined design with high aesthetic finishes incorporates a built-in handle for ease of use and maintaining a clean display
- 5 The lock stays on the door when opened for increased cabinet security (not shown)
- 6 Fast and easy installation with no drilling, few components, and a lock body that adapts to a large range of panel gaps



IR ECOSYSTEM™

The L410 is part of the exclusive InVue IR Ecosystem™, a storewide single key solution that improves customer service, increases sales and provides high theft protection.



Handheld Electronics

Electronic Accessories

Secure Fixtures

Package Protection

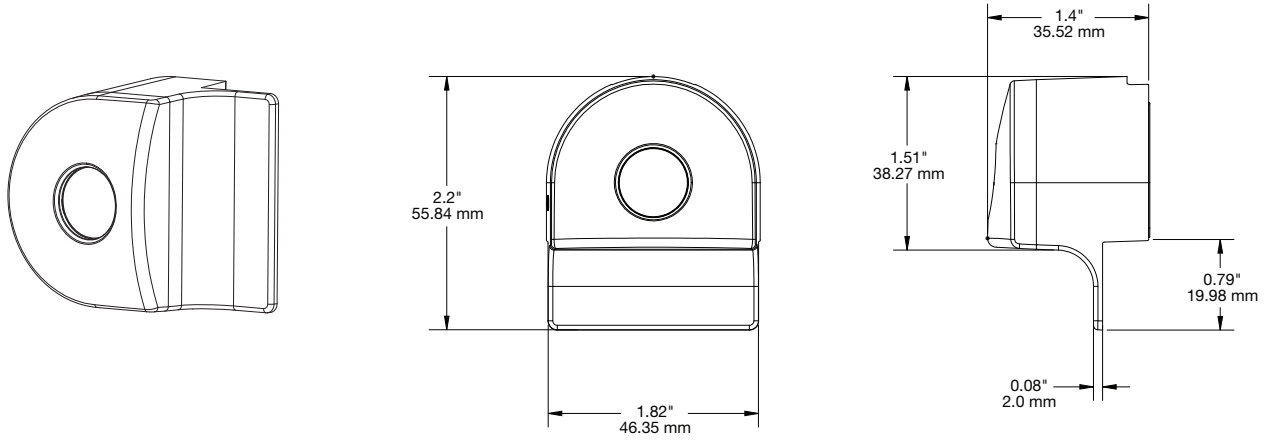
Locked Cabinets

Commercial Solutions

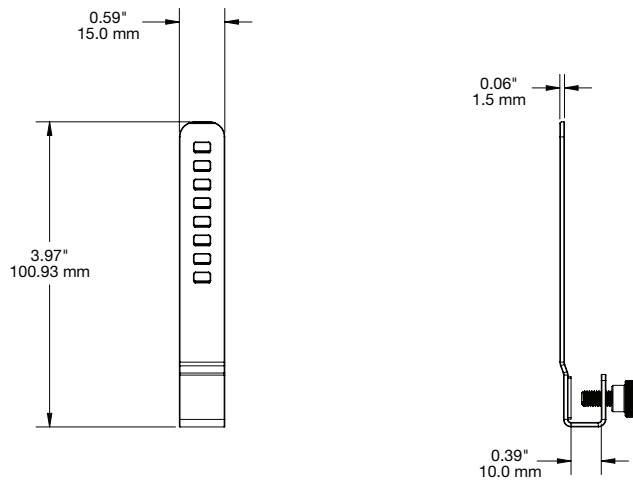


SPECIFICATIONS

L410 (PL801):

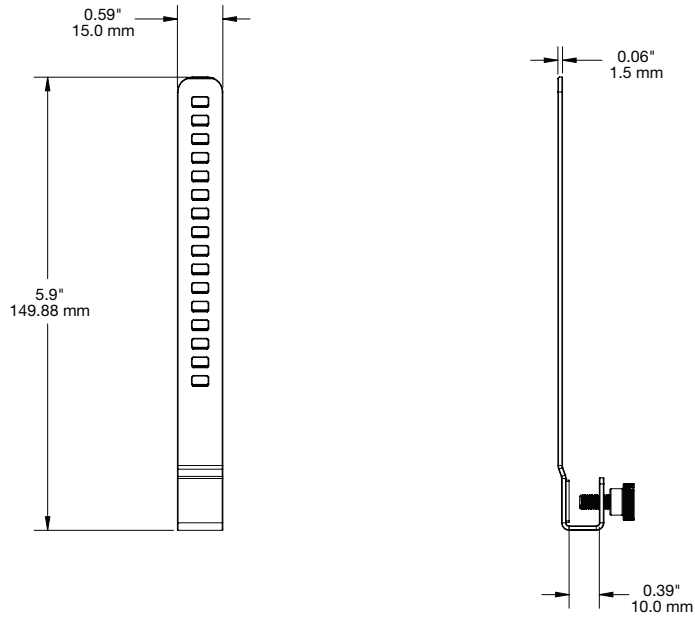


L410 Strike Plate, 22mm - 65mm (PL820-1):

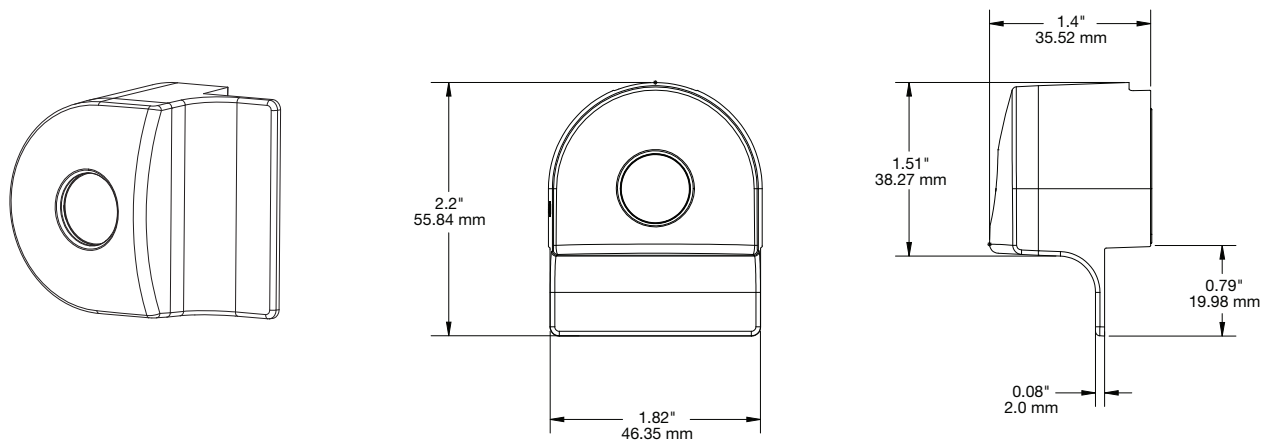


SPECIFICATIONS

L410 Strike Plate, 65mm - 110mm (PL820-2):



L410 Replacement Cover (PL842):



L410

PRODUCT ORDERING

| ORDER CODE | DESCRIPTION | NOTES | CARTON QTY. |
|------------|---------------------------------|------------------------------------|-------------|
| PL801 | L410 | › Includes lock body and cover | 25 |
| PL820-1 | L410 Strike Plate, 22mm - 65mm | › For panel overlaps 22mm to 65mm | 25 |
| PL820-2 | L410 Strike Plate, 65mm - 110mm | › For panel overlaps 65mm to 110mm | 25 |
| PL842 | L410 Replacement Cover (5 pack) | › Includes adhesive | 25 |

invue.com

©2017 InVue Security Products. No endorsement of InVue products has been made by any of the manufacturers of the products shown. Product is sold pursuant to InVue's warranty which can be found at www.invue.com/warranty.

THE AMERICAS 704.752.6513 • 888.55.INVUE

EUROPE, MIDDLE EAST & AFRICA +31.23.8900150

ASIA PACIFIC +852.3127.6811

invue

rev. 03/22/17

